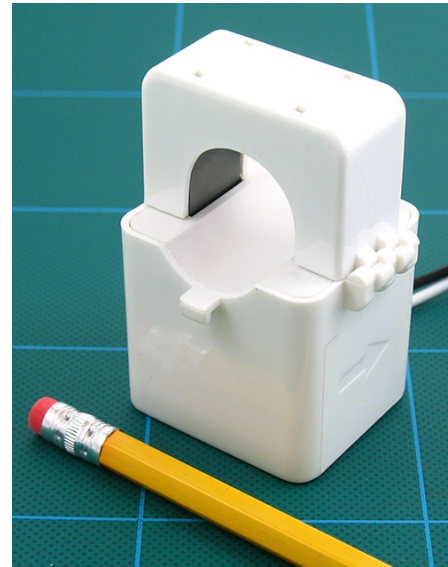


# HIGH PERFORMANCE MIDI HINGED CURRENT TRANSFORMERS

## 100A



The hinged "Midi" CTs are high performance, medium amperage, hinged current transformers. Use for current measurement, energy metering, load surveys, demand metering, energy research, and submetering.



KEY SPECIFICATIONS	
Window Size	25 mm (1.0")
Current Range	1 - 200A AC
Output	333 mV @ 100 A AC 3.33 mV/A AC
Ratio Error*	<0.3% from 1.0 A to 200 A AC (typical)
Phase Error*	<0.5° from 1.0 A to 200 A AC

\* For maximum performance, keep CT contact surfaces wiped clean and free of debris.

### ELECTRICAL

Output	333 mV @ 100 A
Wire Polarity	White = Hi, positive (+) Black = Low, negative (-)
Phasing	Arrow On Case Points Toward Load
Orientation	Toward Load
Frequency Range	50 to 400 Hz

### MECHANICAL

Case Material	White Nylon, UL 94 V-0
Leads	2.4 M (8'), 600V, 22 gage
Operating Temperature	-15 to 60°C (5 to 140°F)
Storage Temperature	-20 to 85°C (-4 to 185°F)

### SAFETY

Working Voltage	600 VAC, Category III
Dielectric Strength	5200 VAC for 1 minute
Safety Standards	UL STD 61010-1 CAN/CSA STD C22.2 No. 61010-1



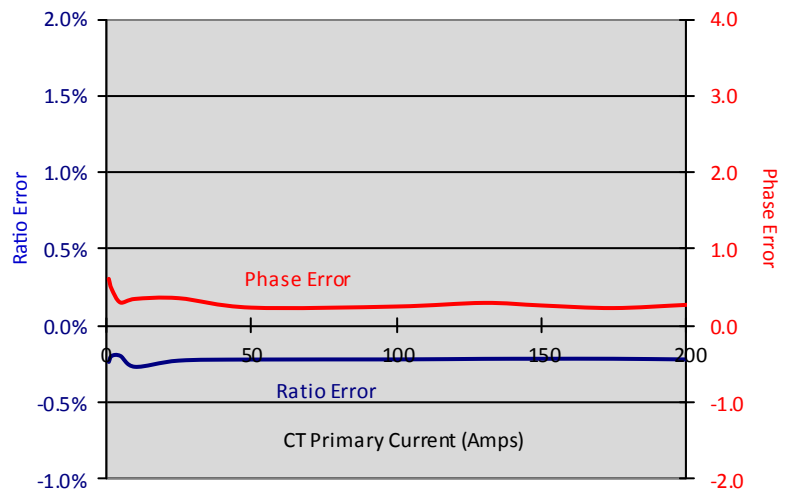
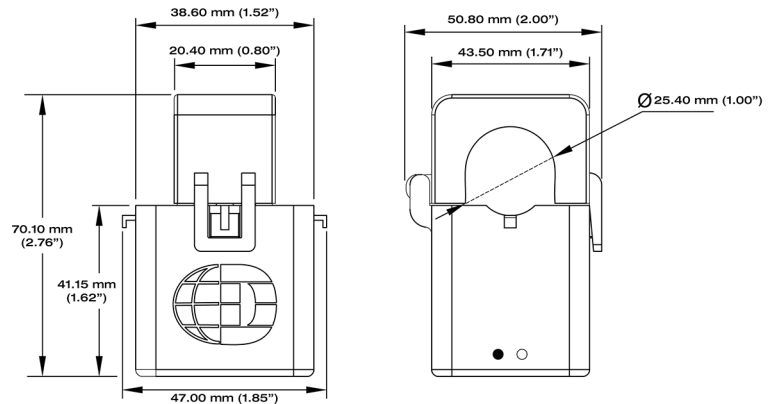
### PART NUMBERS

CT-HMC-0100-U	Crimp ferrules on leads
CT-HMC-0100-B	With 4mm Banana Plugs

### CONTACT US

DENT Instruments, Inc.  
Energy & Power Measurement Solutions

925 SW EMKAY DRIVE  
BEND, OREGON 97702 USA  
541.388.4774 | 800.388.0770  
WWW.DENTINSTRUMENTS.COM



All specifications contained in this document are subject to change without notice.  
© DENT INSTRUMENTS, INC. rev 111711